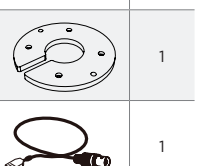
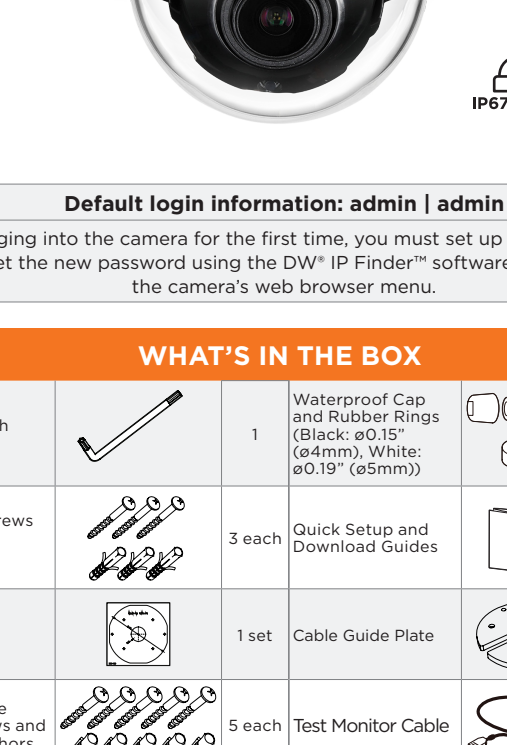


MEGAPIX Ai™

Next-generation video analytics

DWC-XSDH05MI



Default login information: admin | admin

When logging into the camera for the first time, you must set up a new password. You can set the new password using the DW® IP Finder™ software or directly from the camera's web browser menu.

WHAT'S IN THE BOX

Star Wrench (T-20)		1	Waterproof Cap and Rubber Rings (Black: ø0.15" (ø4mm). White: ø0.19" (ø5mm))		1
Camera Screws and Plastic Anchors		3 each	Quick Setup and Download Guides		Set of two (2)
Mounting Template		1 set	Cable Guide Plate		1
Cable Guide Plate Screws and Plastic Anchors		5 each	Test Monitor Cable		1

NOTE: Download all your support materials and tools in one place

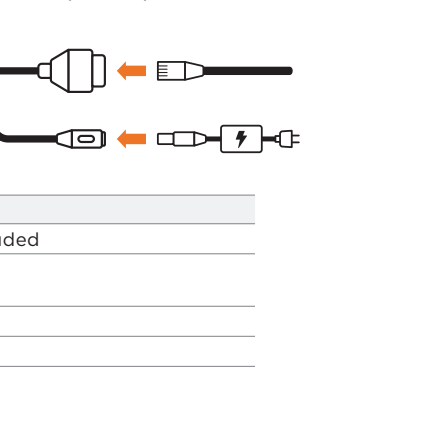
- Go to: <http://www.digital-watchdog.com/resources>
- Search your product by entering the part number in the "Search by Product" search bar. Results for applicable part numbers will populate automatically based on the part number you enter.
- Click "Search". All supported materials, including manuals and quick start guide (QSGs) will appear in the results.



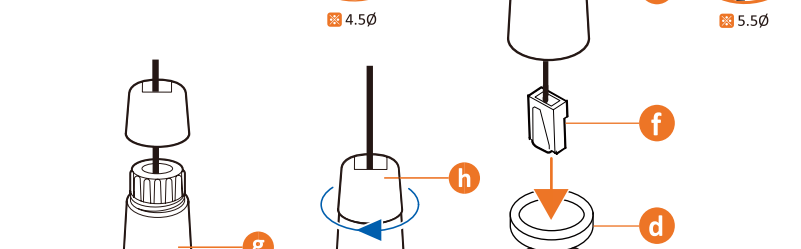
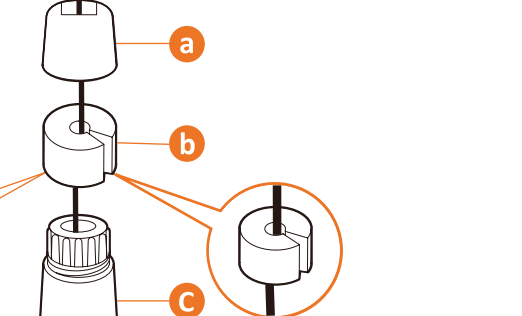
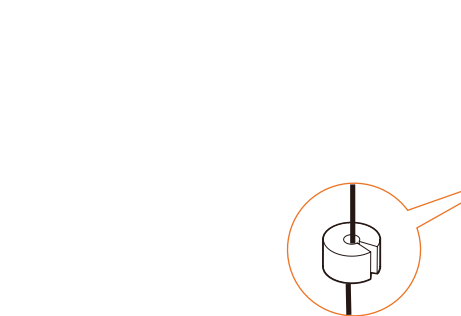
Attention: This document is intended to serve as a quick reference for the initial set-up. It is recommended that the user read the entire instruction manual for complete and proper installation and usage.

STEP 1 - PREPARING TO MOUNT THE CAMERA

- Remove the dome.
- Remove the protection film and gimbal sponge between the dome and the camera module.
- Using the mounting template sheet, mark and drill the necessary holes in the mounting surface.
 - To mount the camera, use the large hole in the center of the template and two outer screw holes.
 - To mount the camera using the cable guide, use the 6 screw holes on the sides of the template.



Holes for direct camera to surface installation | Holes for cable plate installation



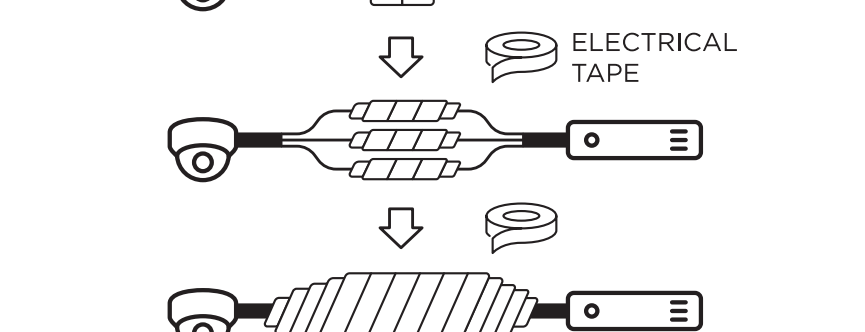
Resetting the camera: With the camera ON, press the reset button for five (5) seconds to initiate a camera-wide reset of all the settings, including network settings.

STEP 2 - POWERING THE CAMERA

Pass the wires through and make all necessary connections.

Use a PoE Injector (required. Sold separately) to connect data and power to the camera using a single Ethernet cable.

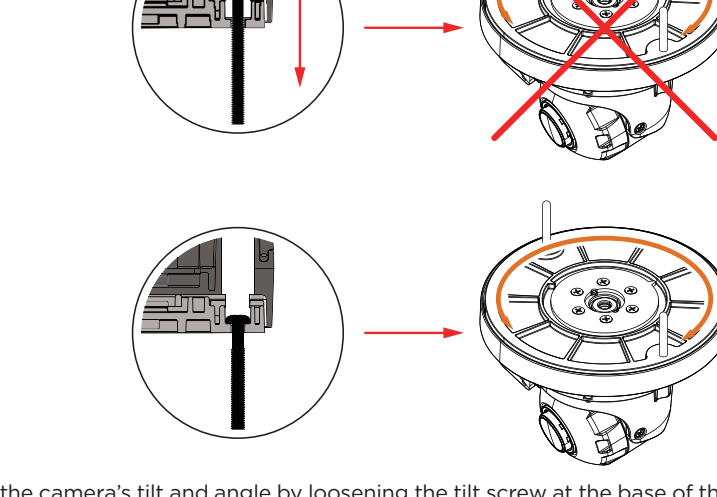
Use a non-PoE Switch to connect data using an Ethernet cable and use a power adapter to power the camera.



Power Information	
Power requirements	DC12V, PoE, adapter not included
Power consumption	DC: max 8.5W, 708mA PoE: max 11W, 229mA
Maximum cable distance	328' (100m)
Connector	RJ45

WATERPROOF CAP INSTALLATION

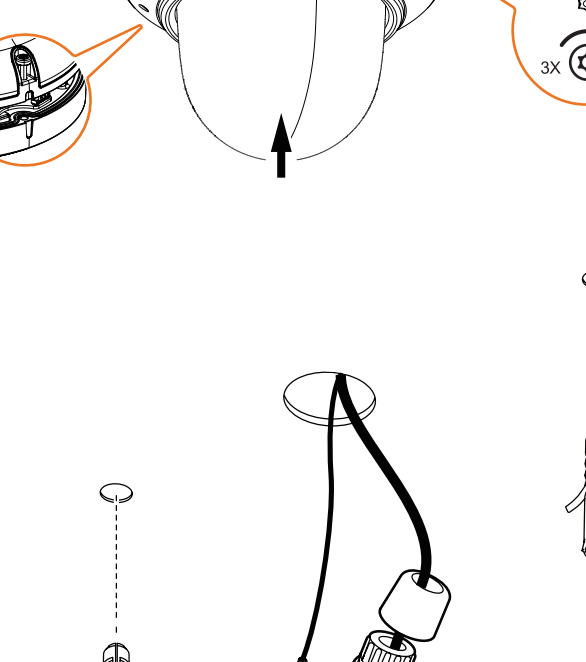
The waterproof cap set comes with two rubber rings. Use the rubber ring best sized for your network cable's diameter.



NOTE: Cables with ø4.5mm to ø5.5mm thickness should use the black rubber ring. Cables over ø5.5mm in thickness should use the white rubber ring.

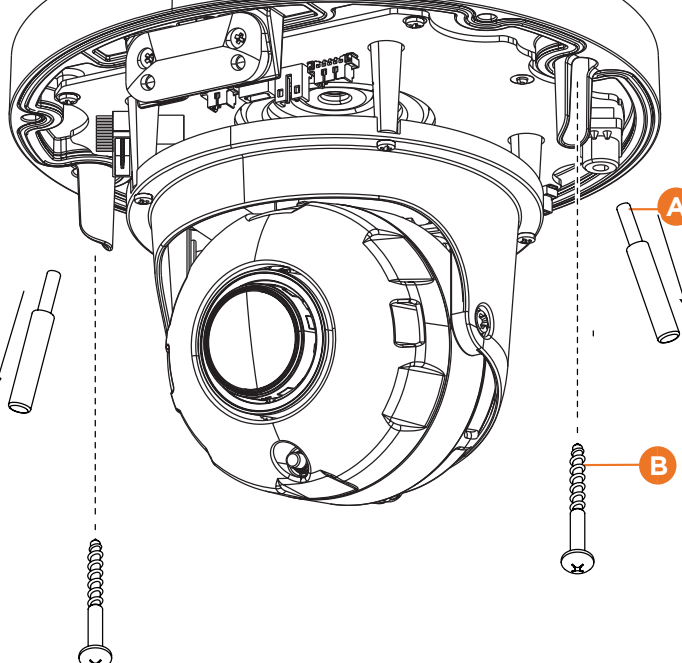
NOTE: Make sure the o-ring is in place between the cap and the camera to prevent moisture damage. In extreme environments, use an outdoor-rated electrical tape.

NOTE: Unused cables should be sealed with electric tape.



STEP 3 - INSTALLING THE CAMERA - DIRECT INSTALL

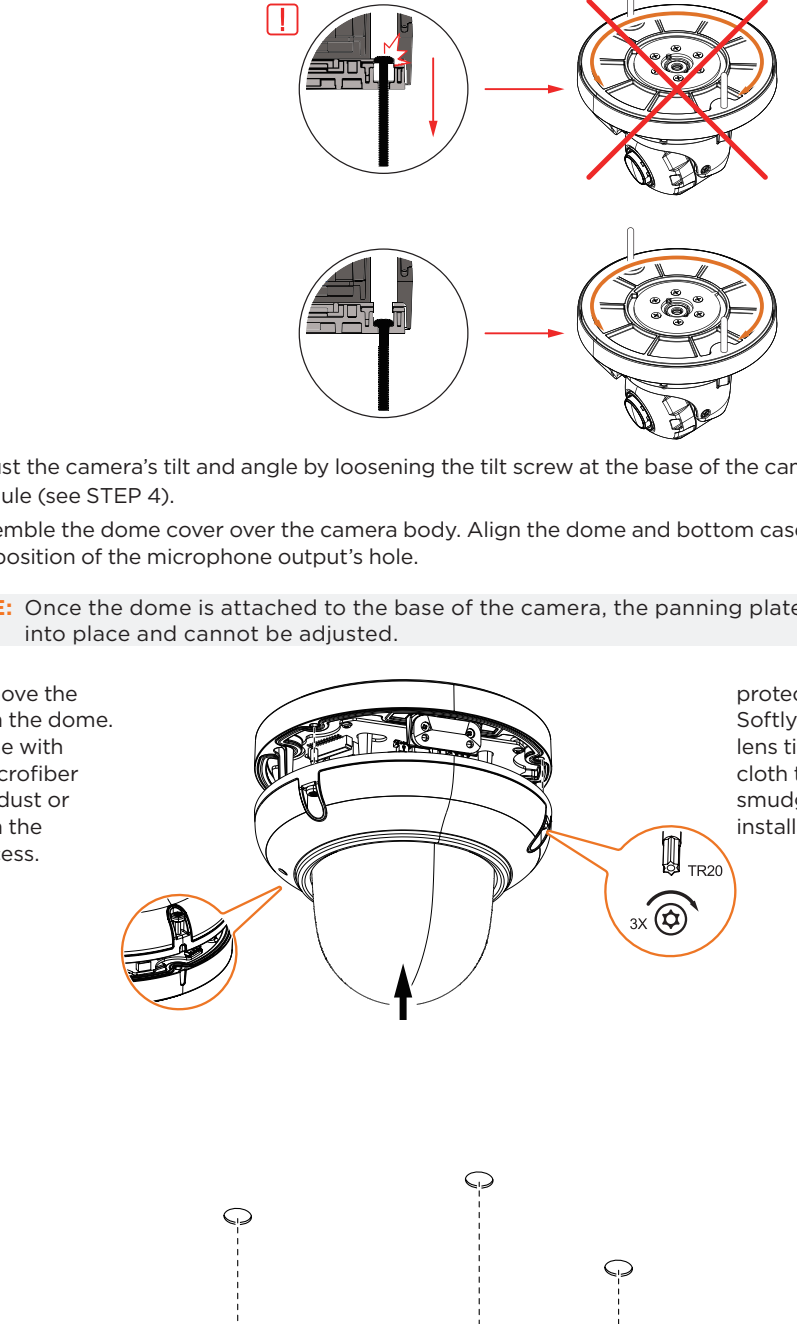
- Remove the rubber plugs from the camera's mounting holes (A) and attach the camera to the mounting surface using the included anchors (B).
- When mounting the camera, be sure the mounting screws are tightened all the way to the bottom panning plate. Keeping the screw not fully engaged will prevent the panning plate mechanism from working.



- Adjust the camera's tilt and angle by loosening the tilt screw at the base of the camera module (see STEP 4).
- Assemble the dome cover over the camera body. Align the dome and bottom case to match the position of the microphone output's hole.

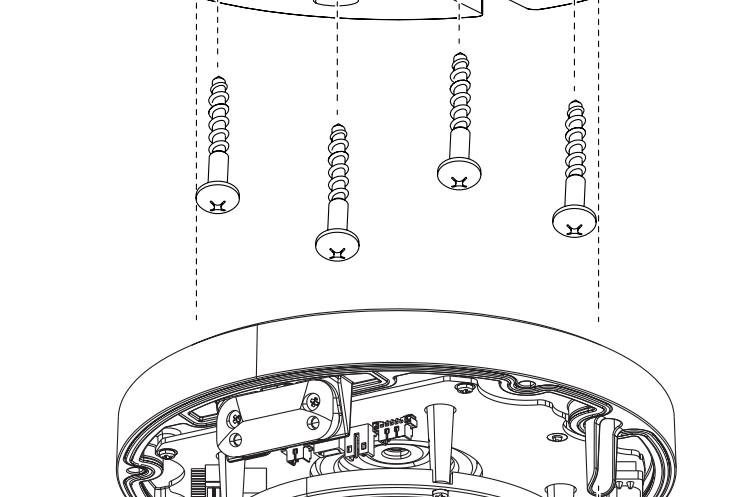
NOTE: Once the dome is attached to the base of the camera, the panning plate is locked into place and cannot be adjusted.

- Remove the protective film from the dome. Softly wipe the dome with lens tissue or a microfiber cloth to remove any dust or smudges left from the installation process.



STEP 3 - INSTALLING THE CAMERA - CABLE GUIDE PLATE INSTALL

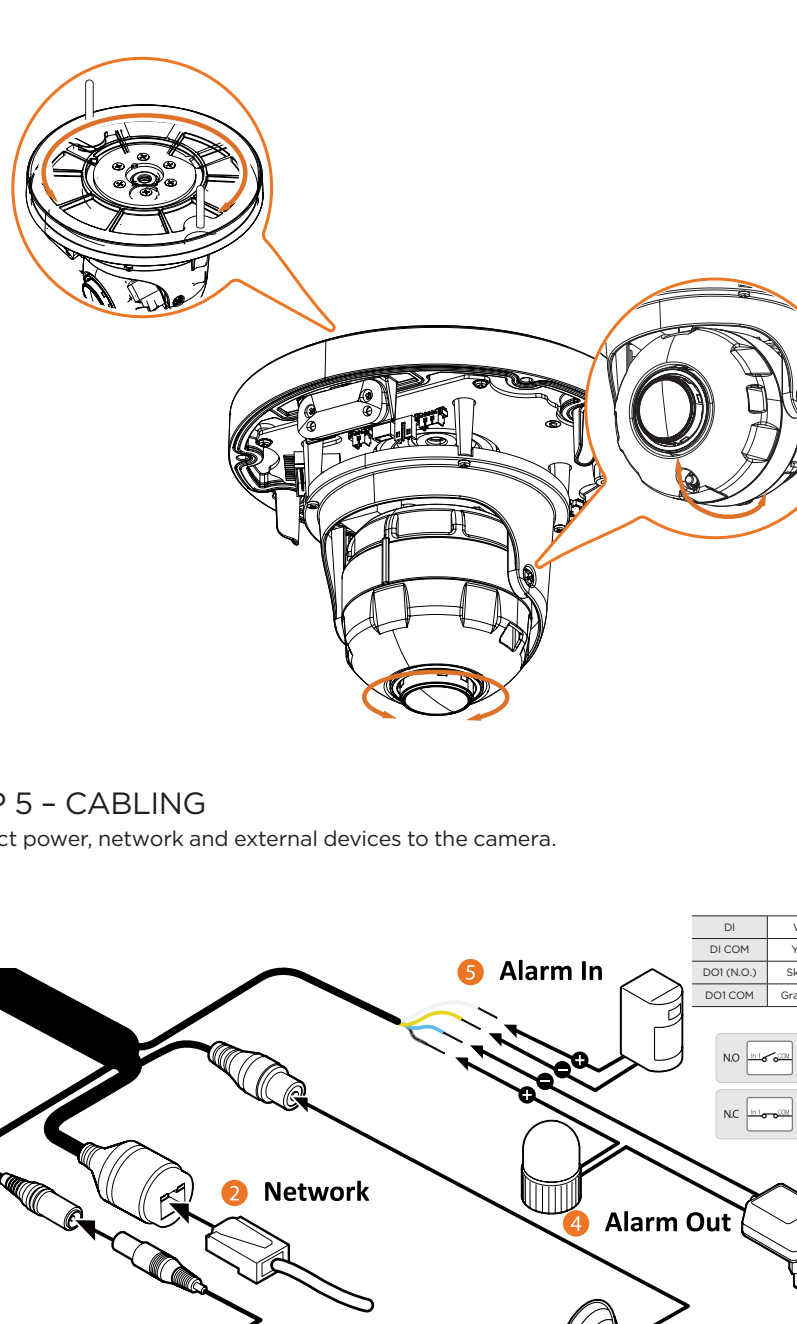
- Remove the rubber plugs from the camera's mounting holes (A) and attach the camera to the mounting surface using the included anchors and screws (B).
- Use four (4) mounting screws to secure the cable guide plate to the mounting surface.
- Use two (2) mounting screws to mount the camera to the cable guide plate and mounting surface.



- When mounting the camera, be sure the mounting screws are tightened all the way to the bottom panning plate. Keeping the screw not fully engaged will prevent the panning plate mechanism from working.
- Adjust the camera's tilt and angle by loosening the tilt screw at the base of the camera module (see STEP 4).
- Assemble the dome cover over the camera body. Align the dome and bottom case to match the position of the microphone output's hole.

NOTE: Once the dome is attached to the base of the camera, the panning plate is locked into place and cannot be adjusted.

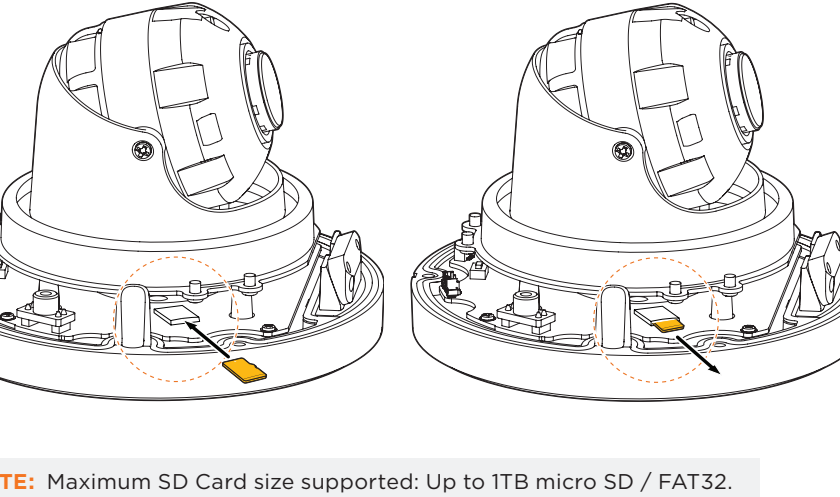
- Remove the protective film from the dome. Softly wipe the dome with lens tissue or a microfiber cloth to remove any dust or smudges left from the installation process.



STEP 4 - ADJUSTING THE CAMERA'S ANGLE

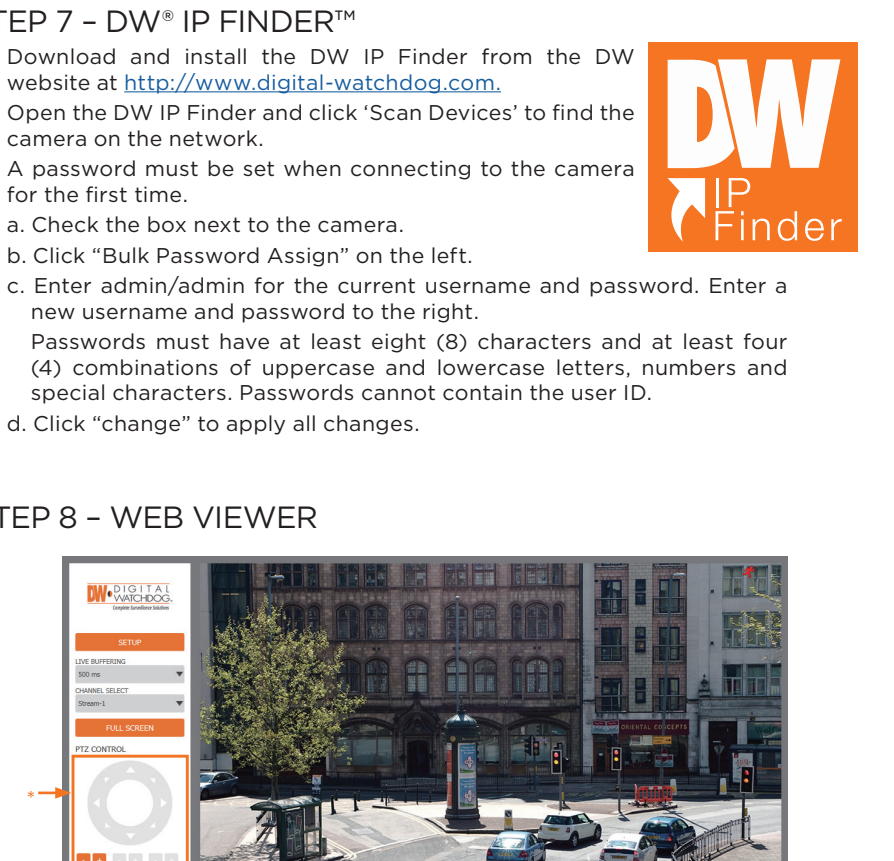
The camera's lens module can rotate 360°. The camera's lens module can tilt 70°. The camera can pan 355° using the panning plate at the base of the camera.

NOTE: Once the dome is attached to the base of the camera, the panning plate is locked into place and cannot be adjusted.



STEP 5 - CABLING

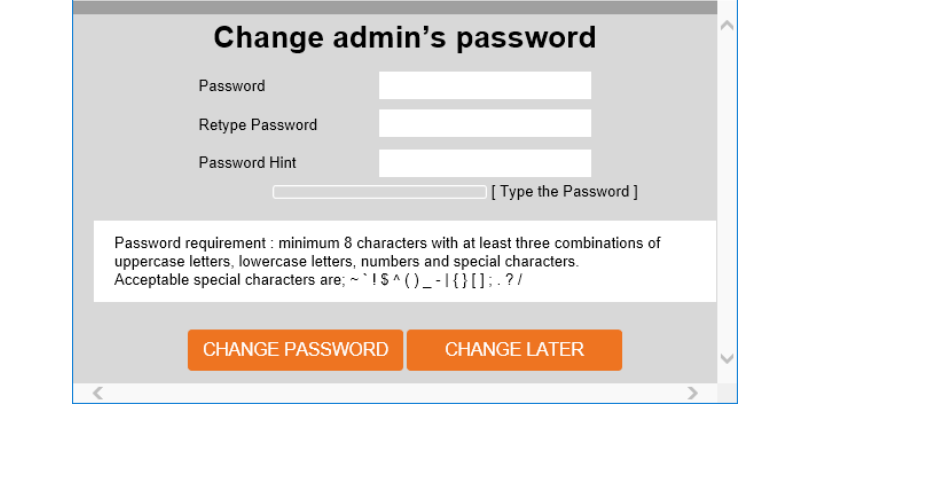
Connect power, network and external devices to the camera.



DI	White
DI/COM	Yellow
DO/INO.J	Sky Blue
DO/COM	Gray + Dot

STEP 6 - MANAGING THE SD CARD (OPTIONAL)

- Locate the SD card slot at the base of the camera module.
- Insert a class 10 SD/SDHC/SDXC card into the SD card slot by pressing the SD card until it clicks.
- Press the card inward until it clicks to release from the card slot, and then pull it out from the slot.



NOTE: Maximum SD Card size supported: Up to 1TB micro SD / FAT32. When inserting the SD card into the card slot, the SD card's contacts should be facing downward, as shown in the diagram.

STEP 7 - DW® IP FINDER™

- Download and install the DW IP Finder from the DW website at <http://www.digital-watchdog.com>.
- Open the DW IP Finder and click "Scan Devices" to find the camera on the network.
- A password must be set when connecting to the camera for the first time.
 - Check the box next to the camera.
 - Click "Bulk Password Assign" on the left.
 - Enter admin/admin for the current username and password. Enter a new username and password to the right. Passwords must have at least eight (8) characters and at least four (4) combinations of uppercase letters, lowercase letters, numbers and special characters. Passwords cannot contain the user ID.
 - Click "change" to apply all changes.



STEP 8 - WEB VIEWER

The GUI display may differ depending on the camera model.

- Find the camera using the DW IP Finder.
- Double-click on the camera's view in the results table.
- Press the "View Camera Website".
- Enter the camera's username and password you set up in the DW IP Finder. If you did not set up a new username and password, a message will direct you to set up a new password for the camera to view the video.

NOTE: Please see the full product manual for web viewer setup, functions and camera settings options.

NOTE: This product is covered by one or more claims of the HEVC Patents listed at patentlist.accessadvantage.com.

