





Flush mount for low-profile vandal dome IP cameras

DWC-VFFMW



WHAT'S IN THE BOX

Camera Mounting Screws for DWC-M(P)V8 Cameras (25mm)		2	Quick Setup Guide		1
Camera Mounting Screws for DWC-M(P)VC Cameras (16mm)		2	Mounting Template		1

NOTE: Download all your support materials and tools in one place

1. Go to: <http://www.digital-watchdog.com/resources>
2. Search your product by entering the part number in the **'Search by Product'** search bar. Results for applicable part numbers will populate automatically based on the part number you enter.
3. Click **'Search'**. All supported materials, including manuals and quick start guide (QSGs) will appear in the results.



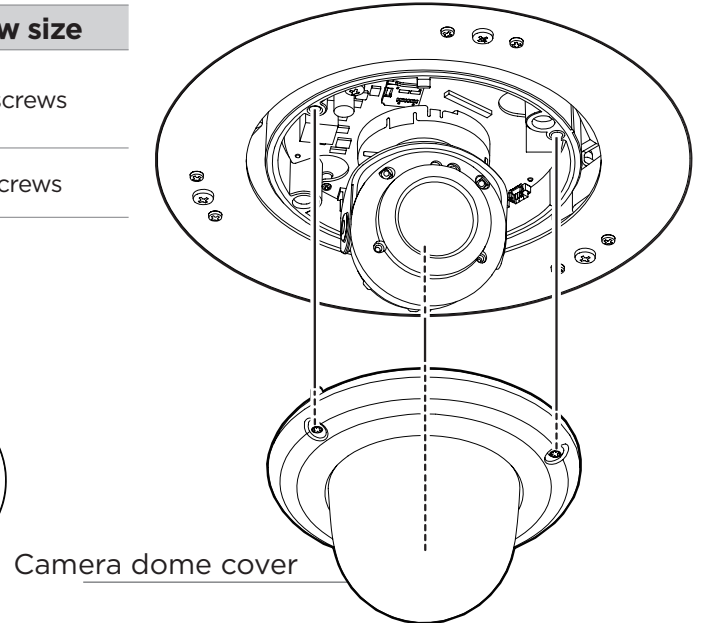
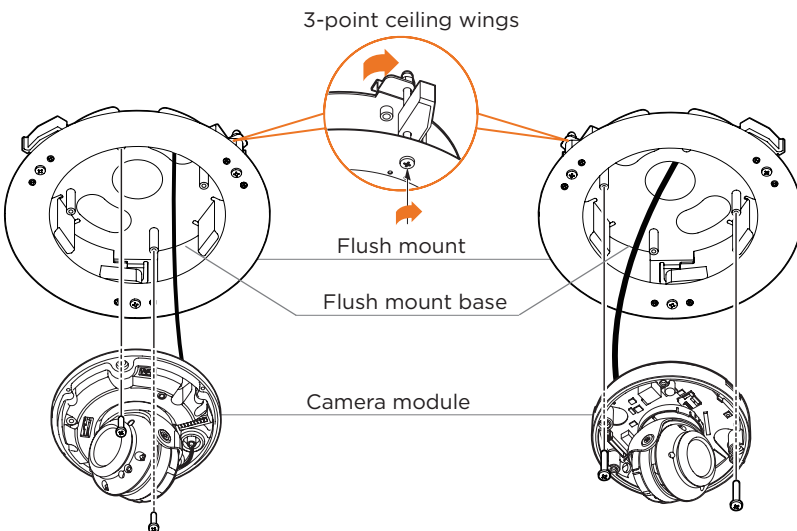
INSTALLATION

- 1 Before the installation, remove the magnetic cover from the flush mount.
- 2 Using the mounting template mark and drill the necessary holes in the mounting surface.
- 3 Adjust the 3-point in-ceiling wing using a screwdriver. Twist the screws to tighten and expand until the flush mount is secured to the mounting surface.
- 4 To mount the camera to the mounting accessory, remove the dome from the camera base using the wrench included

NOTE: Do not touch the lenses when handling the camera modules.

- 5 Pass wires through the flush mount base and make all necessary connections.
- 6 Secure the camera to the flush mount using the appropriate mounting screws. Refer to the table below:

Camera part number	Mounting screw size
DWC-MV82DiVT DWC-MV82WiATW, DWC-MPV82WiATW DWC-MV85WiATW, DWC-MPV85WiATW	25mm mounting screws
DWC-MVC8WiATW, DWC-MPVC8WiATW DWC-MVC8Wi28TW, DWC-MPVC8Wi28TW	16mm mounting screws



- 7 Adjust the camera's position and angle. Secure the dome cover to the camera base using the screws included with the camera. See the camera's QSG for more information. Complete the installation by reattaching the magnetic cover over the camera dome.

