

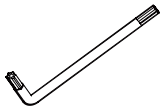


## Sunshield cover for vandal dome IP cameras with junction box built-in

DWC-DJSSLD



### WHAT'S IN THE BOX

Camera Mounting Screws		2	Quick Setup Guide		1
Star Wrench (T-20)		1			

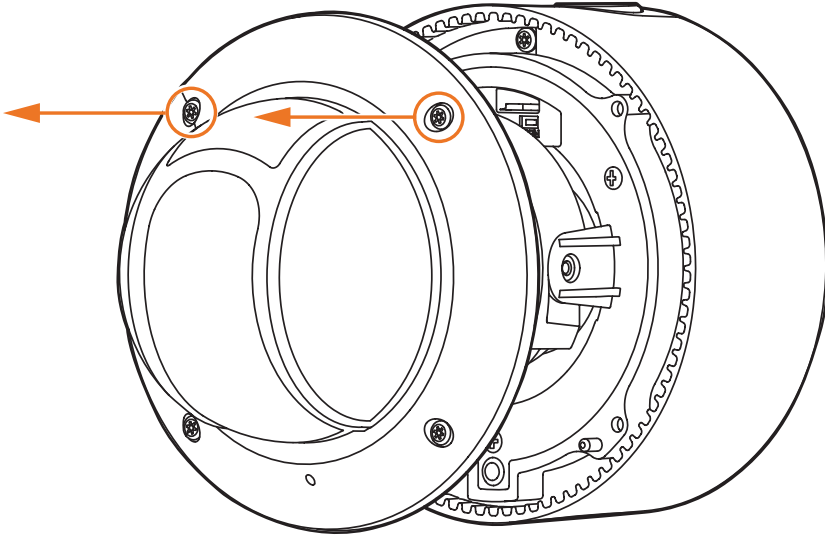
**NOTE:** Download all your support materials and tools in one place

1. Go to: <http://www.digital-watchdog.com/resources>
2. Search your product by entering the part number in the **'Search by Product'** search bar. Results for applicable part numbers will populate automatically based on the part number you enter.
3. Click **'Search'**. All supported materials, including manuals and quick start guide (QSGs) will appear in the results.



### INSTALLATION

- 1 Remove two (2) of the assembly screws on the camera's dome.



- 2 Using the screws included with the sun shield, assemble the camera's dome and sun shield cover following the diagram below. See the camera's QSG for more information.

