

TAA
COMPLIANT PRODUCT
NDAA
COMPLIANT PRODUCT



STAR-LIGHT PLUS™
Color in Darkness Technology

H.265
H.264/MJPEG

- 
3MP
 Resolution at 3MP
- 
60fps
 at 3MP
- 
 Star-Light Plus™
 Super Low-Light
- 
 1148ft range
 Smart IR™
- 
 0-360° Pan
 Endless
- 
 40x
 Optical Zoom

Summary

This NDAA/TAA-compliant MEGApix® pan, tilt, zoom (PTZ) IP camera provides 3MP resolution at 60fps with 40x optical zoom. The camera offers delicate and precise control and movement, with endless 0-360° panning, 500 presets, multiple patterns and swing configurations, auto parking and auto-tracking, all controllable from the camera's web interface or directly via RS485 connection. The weather-resistant IP66-rated, IK-10 impact-resistant camera features a 1148ft range Smart IR™, Star-Light Plus™ color in near-total darkness technology and true WDR for quality video in any lighting conditions. All MEGApix cameras are ONVIF conformant, assuring their successful integration with any open platform solution on the market.

Features

- 3MP 1/1.8" image sensor at real-time 60fps
- Star-Light Plus™ color in near-total darkness technology
- High-speed pan, tilt, zoom camera
- 6.5-260mm vari-focal lens with motorized zoom and auto-focus
- 40x optical zoom, 16x digital zoom
- True Wide Dynamic Range (WDR)
- Triple codecs (H.265, H.264, MJPEG) with simultaneous streaming
- 1148' Smart IR™ with intelligent camera sync and no IR reflection
- Smart DNR™ 3D digital noise reduction
- True day/night with mechanical IR cut filter
- Programmable privacy zones
- Auto gain control (AGC)
- Auto white balance (AWB)
- Pan 0-360° endless, 250° per second pan speed
- 500 preset positions
- 4 patterns and 8 swings
- Auto parking and auto-tracking
- Motion detection
- Two-way audio
- Alarm sensor input and relay output
- Web server built-in
- PoE++ class 7
- ONVIF conformant, profile G, S, T and M
- NDAA/TAA compliant
- IP66 environmental-rated dust-tight and water-resistant
- IK 10-rated impact-resistant
- 2 year warranty

Specifications



IMAGE	
Image sensor	3MP 1/1.8" CMOS sensor
Active pixels	2304 (H) x 1296(V)
Minimum scene illumination	0.005 lux (color), 0 lux (B/W)
LENS	
Focal length	6.5-260mm, F1.4
Lens type	Vari-focal lens with motorized zoom and auto-focus
Field of view (HFOV/ VFOV)	HFOV: 1.6°-64.1°/ VFOV: 0.83°-33.4°
IR distance	1148t (350m) range
Optical zoom / digital zoom	40x optical zoom, 16x digital zoom
I/O	
Audio in/out and compression	1 input/ 1 output, G.711
Alarm input/output	4x sensor input / 2x alarm output / 1x RS485 port
Event trigger	Motion alarm, sensor input, client disconnection
OPERATIONAL	
Shutter mode	Auto, manual, slow shutter
Shutter speed	1/1 - 1/100,000
Auto gain control	Auto
Day and night	TDN, Auto, day (color), night (B/W)
3D Digital Noise Reduction	Smart DNR™ 3D-DNR
Wide Dynamic Range (WDR)	True WDR
White balance	Yes
Privacy zones	8 programmable privacy masks
Backlight compensation (BLC)	Yes
Mirror and flip	Yes
Alarm notifications	Notifications via email, FTP, alarm output, OSD alert, PTZ preset, recording, HTTP action
PTZ FUNCTION	
Pan range	360° (endless)
Pan speed	Max speed: 250°/sec, Manual speed: 0.065°/sec - 250°/sec
Tilt range	100° (-10°-90°)
Tilt speed	Max speed: 130°/sec, Manual speed: 0.065°/sec - 130°/sec
Preset	500 presets
Swing	8 swing patterns
Pattern	4 patterns
Group	8 groups
Auto parking and tracking	Yes
NETWORK	
LAN	RJ45 (10/100Base-T)
Video compression type	H.265, H.264, MJPEG
Resolution	352x240 - 2304x1296
Frame rate	Max 60fps @ 2304x1296
Video bitrate	Primary: 32Kbps - 16Mbps, Secondary: 32Kbps - 4Mbps
Bitrate control	H.264, H.265: CBR, VBR, Hybrid MJPEG: VBR
Streaming capability	Quad streaming, Primary: H.265, H.264, Secondary x 3: H.265, H.264, MJPEG
IP	IPv4, IPv6
Protocol	TCP, UDP, IGMP(Multicast), ICMP, DHCP, HTTP, HTTPS, FTP, SNMP, SMTP, UPnP, WS-Discovery, Zero Configuration, NTP, SRT, MPEG-TS, RTP, RTSP, RTMP, DDNS
Security	Basic/Digest authentication, HTTPS, IP address filtering, user access log
ONVIF conformance	Yes, profile G, S, T and M
Web viewer	OS: Windows®, Mac® OS, Linux® Browser: Microsoft Edge®, Google Chrome®, Mozilla Firefox®, Safari®
Video management software	DW Spectrum® IPVMS
ENVIRONMENTAL	
Operating temperature	-22°F - 140°F (-30°C - 60°C)
Operating humidity	0-90% RH (non-condensing)
IP rating, IK rating	IP66-rated , IK10 impact-resistant
Other certifications	CE, FCC, RoHS, NDAA, TAA
ELECTRICAL	
Power requirement	PoE IEEE 802.3bt PoE++ Class7 (Adapter included)
Power consumption	PoE: 75W, 1.36A
MECHANICAL	
Material	Aluminum die-casting bullet housing
Dimensions	8.89" x 14.3" (226 x 364mm)
Weight	12.72 lbs (5.77 kg)
Warranty	2 year warranty



Built for Users.™



Accessories (Required. Sold Separately.)



DWC-XPZAWM
Wall mount bracket



DWC-XPZACM
Ceiling mount bracket



DWC-XPZACNM
Corner mount



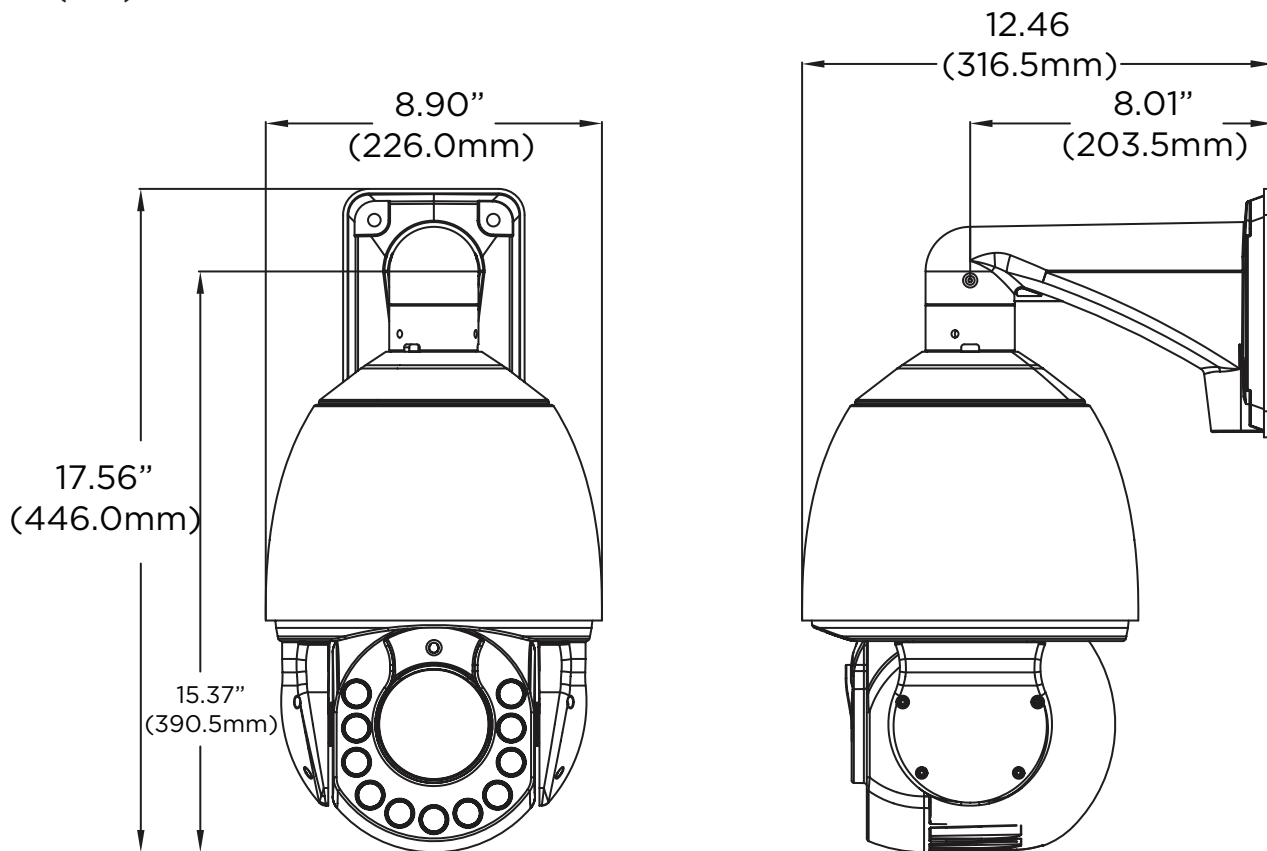
DWC-XPZAPLM
Pole mount



DWC-PZPARAMW2
Parapet mount

Dimensions

Unit: Inch (mm)



Built for Users.™

